

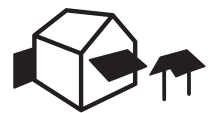


OMBRA MOBIL



BALCONY & TERRACE

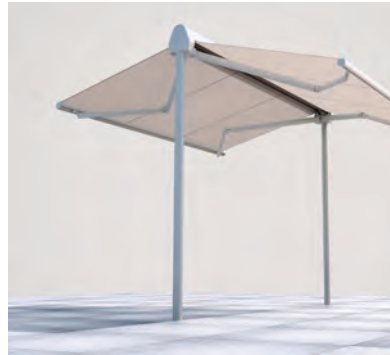
**FREE-STANDING DOUBLE AWNING WITH
INTEGRATED COVER BOARD**



OMBRAMOBIL OS4000



Transverse foot



Floor sleeve



Integrated cover board

OS4000

- Awnings protected by cover board
- Does not generally require a building licence
- Anchoring options for the supports using recessed floor sleeves or diagonal feet
- Drop profile fitted with integrated gutter
- Quick and easy assembly
- One-sided wall fastening possible instead of a support



min. 315 cm
max. 555 cm



min. 300 cm
max. 450 cm



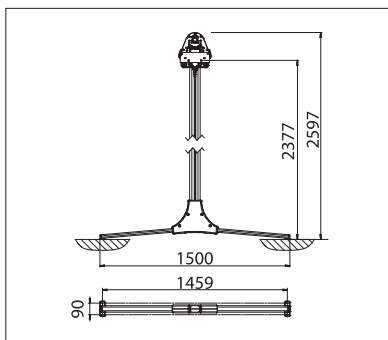
Post height
max. 260 cm



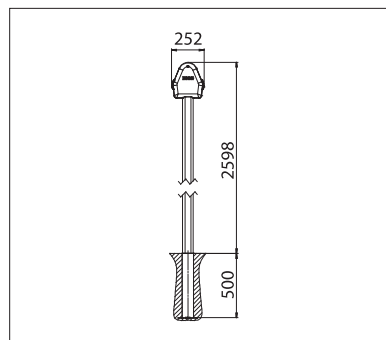
The wind resistance class can vary depending on version and dimension.



Technical dimensions in millimetres



Side view with diagonal foot



Side view with floor sleeves



REGISTRATION
REQUIRED



COLORS

Discover the diverse options when selecting frame colours.



FABRICS

Choose from a comprehensive range of materials and colours.



ELECTRICS

More convenience thanks to the automated control and lighting systems.

More information at www.stobag.com

