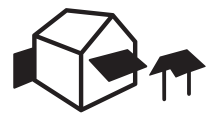


SIRO



BALCONY & TERRACE

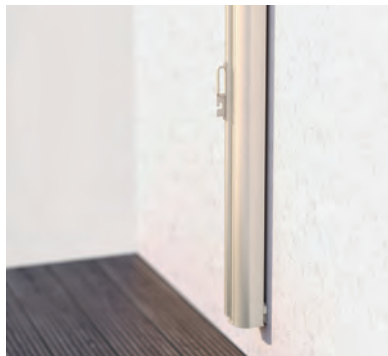
**CAN BE USED FOR LATERAL SHADE
AS WELL AS FOR PROTECTION AGAINST
WIND AND PRYING EYES**



SIRO SR6000 FLEX



Suspension system



Wall installation

- Can be used for lateral shade as well as for protection against wind or prying eyes
- Integrated spring shaft ensures high fabric tensioning
- Various installation options such as wall brackets, floor sleeves or supports
- Hanging box system for many applications

SR6000 FLEX

Box height

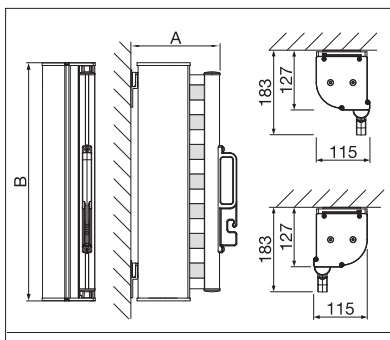
↑	min.	120 cm
	max.	200 cm

Pull out length

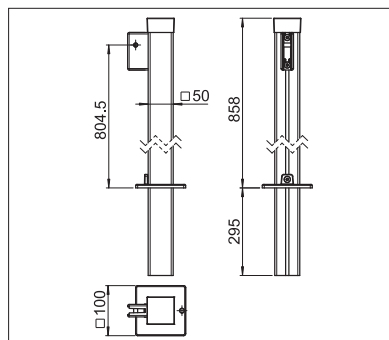
↔	min.	100 cm
	max.	400 cm



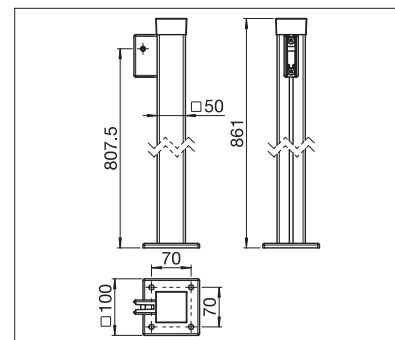
Technical dimensions in millimetres



Wall fixing / Top fixing



Inserting post



Screw-on posts



REGISTRATION
REQUIRED



COLORS

Discover the diverse options when selecting frame colors.



FABRICS

Choose from a comprehensive range of materials and colors.

More information at www.stobag.com

